

May 18, 1937.

W. C. McCARTNEY
COMFORT OR SIMILAR ARTICLE

Des. 104,573

Filed Feb. 16, 1937

FIG 1

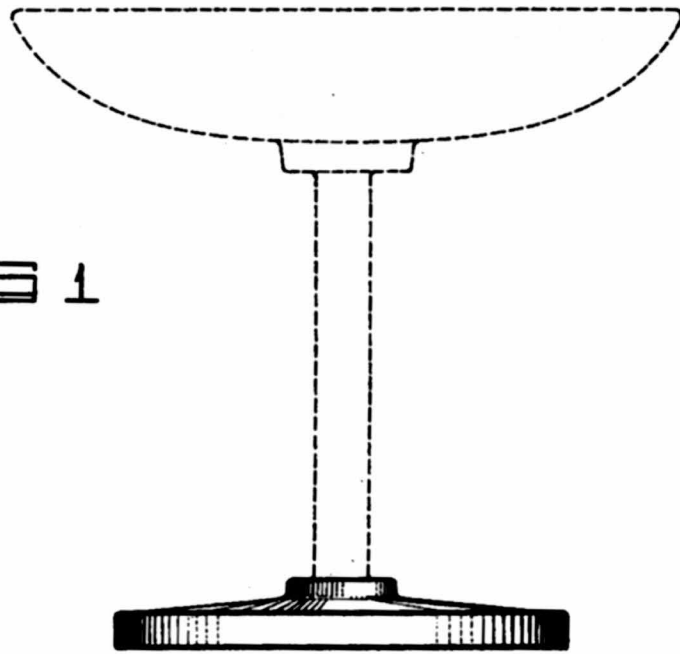


FIG 2

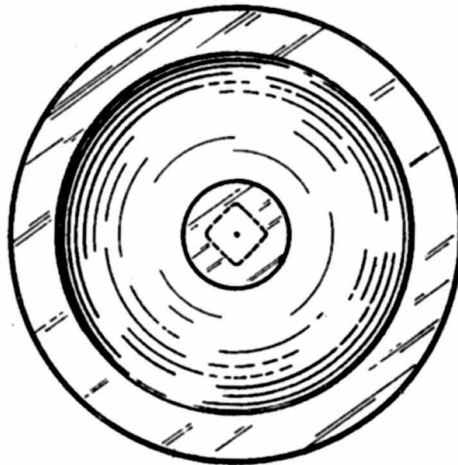
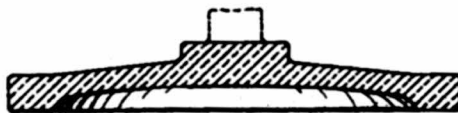


FIG 3



INVENTOR

W. C. McCartney
BY *Martin D. Mauion*
ATTORNEY

UNITED STATES PATENT OFFICE

104,573

DESIGN FOR A COMFORT OR SIMILAR ARTICLE

Will Cameron McCartney, Cambridge, Ohio

Application February 16, 1937, Serial No. 67,693

Term of patent 14 years

To all whom it may concern:

Be it known that I, Will Cameron McCartney, a citizen of the United States of America and resident of Cambridge, county of Guernsey, and State of Ohio, have invented a new, original, and ornamental Design for a Comfort or Similar Article, of which the following is a specification, reference being had to the accompanying drawing, forming part thereof, in which—

Figure 1 is a side elevational view of a comfort showing my new design, the stem and bowl being shown in dotted lines;

Figure 2 is a top plan view of the base of the comfort, the stem being shown in dotted lines; and

Figure 3 is a vertical sectional view of the base, a fragmentary portion of the stem being shown in dotted lines.

The characteristic feature of the design resides in the glass base portion of the comfort which, due to the concavity of the bottom, presents a bulged appearance when viewed from the top thereof.

I claim—

The ornamental design for a comfort or similar article, substantially as shown and described.

WILL CAMERON McCARTNEY.